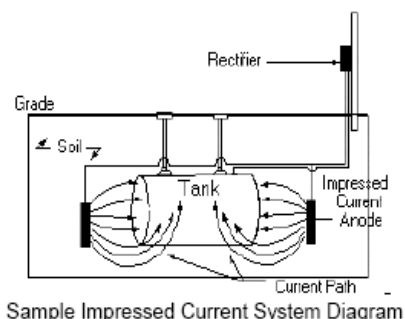


Cathodic Protection (For Impressed Current Systems)

Description of Impressed Current Cathodic Protection:

An Impressed Current Cathodic Protection System uses electric power to supply energy to buried anodes supply protection to the underground storage tank and/or system. The rectifier box is the most visible part of the Impressed Current system. It converts commercial electric power to energy that protects the system (helps anodes work).



Operating and Maintaining the Cathodic Protection System:

- At least once every three years (before the due date), have a cathodic protection system test performed by a qualified cathodic protection tester to ensure the system is adequately protecting the tanks and/or lines.
- At least once every 60 days, the impressed current system must be inspected to ensure that power is still being supplied to the system. Amps and volts (if available) must be read from the rectifier box and recorded in a log.
- Periodically, check the parking lot (especially the tank pit area) to ensure that the impressed current wires remain buried underneath the concrete/pavement.

Record Keeping:

- The results of the two most recent cathodic protection system tests must be kept at all times.
- The results of the last three inspections of the rectifier box ("rectifier log") should be maintained at all times.

If your Impressed Current Cathodic Protection System test fails or there is a large change in amps or volts from month-to-month, report the results to the UST Management Division at (803) 898-0589.

